

Product leaflet

Product

Powered air purifying particle filter respirator SR 700

Model No.

SR 700

Ordering No.

H06-0712

Product Description

The SR 700 is a battery-powered fan that, together with particle filter SR 510 P3 R or SR 710 P3 R and an approved head top, is included in the Sundström fan-assisted respiratory protective device systems. The SR 700 can be used as an alternative to filter respirators in all situations in which these are recommended. This applies particularly to work that is hard, warm or of long duration.

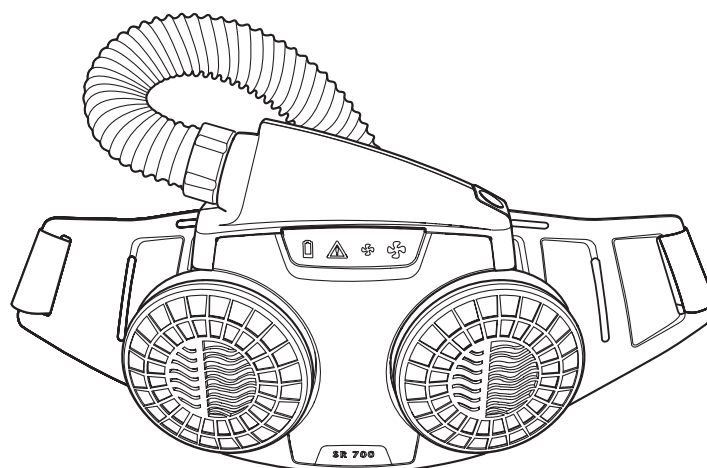
The fan is equipped with filter, and the filtered air is fed through a hose to the human interface. The pressure then generated prevents surrounding pollutants from penetrating into the mask. The characteristics of the SR 700 are as follows:

The battery is of lithium-ion type • The charging time is around 2 hours • Equipped with two particle filters • Operating time of up to 8 hours • The same control is used for starting, stopping and selection of operating status • Display with symbols • Alarm with audible/visual signals if the air flow is obstructed • Equipped with automatic air flow control • Can be used together with hoods SR 520, SR 530, SR 561, SR 562, face shield SR 540, full face mask SR 200, welding shield SR 590 and helmet with visor SR 580.

Technical specification

	SR 700	EN 12941:1998	EN12942:1998
Air flow, min/max	175 - 225 l/min	≥ 120 l/min	-
Battery	14.8 V 2.2 Ah	-	-
Operating times at 175/225 l/min:	8 h/5 h	≥ 4 h	≥ 4 h
Weight with battery and P3 filter	≈ 1,100 g	≤ 3,500 g	≤ 3,500 g
Service temperature	-10 – +55 °C, < 90 % RH	-	-
Storage temperature	-20 – +40 °C, < 90 % RH	-	-
Low flow warning level	< 175 l/min	≤ 175 l/min	≤ 175 l/min
Protection factors ¹ SR 520, SR 530, SR 540, SR 561/562, SR 580, SR 590	40 (TH3)	-	-
Protection factors ¹ SR 200	40 (TM3)	-	-
Approvals	EN 12941/12942:1998	-	-

1) Specified in BS 4275 and applies generally to all approved fan-assisted respiratory protective devices, regardless of the test results.



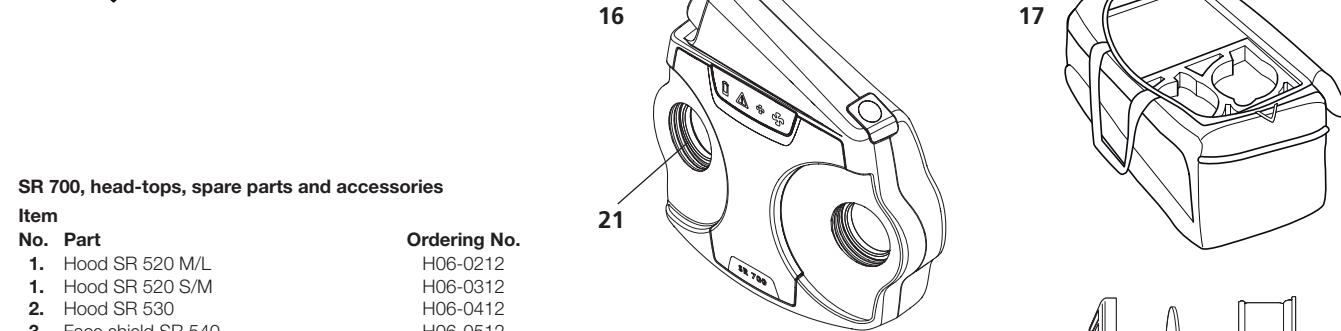
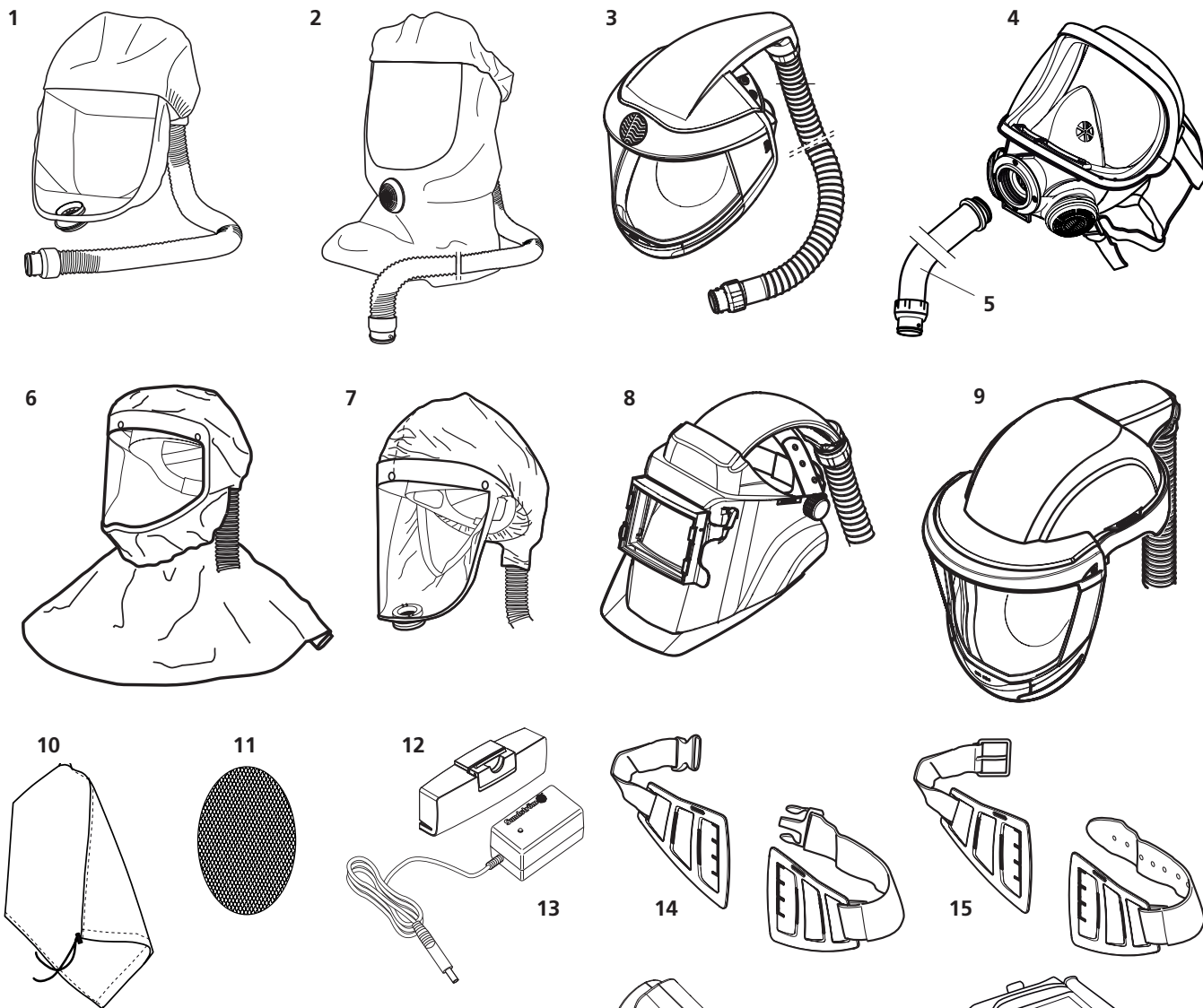
Head Office

Tel: +46-(0)8-562 370 00
 Fax: +46-(0)8-562 370 20
 P.O. Box 10056
 SE-181 10 Lidingö
 Sweden
 Visiting address:
 Vasavägen 84
 SE-181 10 Lidingö

Factory

Tel: +46-(0)8-562 370 00
 Fax: +46-(0)8-562 370 60
 P.O. Box 76
 SE-340 14 Lagan
 Sweden
 Visiting address:
 Västergatan 4
 SE-340 14 Lagan

Sundström 
 www.srsafety.com



SR 700, head-tops, spare parts and accessories

Item

No. Part

- 1. Hood SR 520 M/L
- 1. Hood SR 520 S/M
- 2. Hood SR 530
- 3. Face shield SR 540
- 4. Full face mask SR 200, PC visor
- 4. Full face mask SR 200, glass visor
- 5. PU hose SR 550 for SR 200
- 5. Rubber hose SR 551 for SR 200
- 6. Hood SR 561
- 7. Hood SR 562
- 8. Welding shield SR 590
- 9. Helmet with visor SR 580
- 10. Flow meter SR 356
- 11. Steel net disc SR 336
- 12. Battery SR 701, 2,2 Ah
- 13. Battery charger SR 713
- 14. Belt SR 508
- 14. Rubber belt SR 504
- 15. Leather belt SR 503
- 16. Fan SR 700, bare
- 17. Storage bag SR 505 w two compartments
- 18. Pre-filter SR 221
- 19. Pre-filter holder SR 5153
- 20. Particle filter P3 R, SR 710
- 21. Gasket for fan
- 22. Harness
- 23. Filter adapter
- 24. Particle filter P3 R, SR 510

Ordering No.

- H06-0212
- H06-0312
- H06-0412
- H06-0512
- H01-1212
- H01-1312
- T01-1216
- T01-1218
- H06-5012
- H06-5112
- H06-4012
- H06-0812
- R03-0346
- T01-2001
- R06-0708
- R06-0706
- R06-0101
- T06-0104
- T06-0103
- R06-0710
- T06-0102
- H02-0312
- R01-0604
- H02-1512
- R06-0107
- T06-0116
- R06-0701
- H02-1312

