



SALA “Choking Girder loop” heavy duty temporary anchorage point

Description

“Choking Girder loop” heavy duty temporary anchorage point CE marked and conforming to the standard EN795 CLASS B.

Available in 2 lengths, 90cm and 200cm, they are equipped at one end with stainless steel half round D-links and at the other end with stainless steel triangular links. The Triangle may be passed through the D-link to choke on the structure on which it is installed. It may also be used as a simple “Girder loop” by connecting the triangle and the D-link together.

Suitable for installation on a wide range of sizes of structure, see the next page of this document.

6mm thick cloth reinforced rubber anti slip interior surface, which also provides an extremely high level of protection to the webbing when installed on structures of metal and concrete

Main features

- May be used as a “Choking Girder loop” or as “simple Girder loop”
- Portable, simple and quick to fit
- Suitable for most supporting structures
- Fits a wide range of sizes of structures
- Rubber interior offers extremely high level of protection
- Individual serially numbered, for quality control purposes

Applications

Designed to be used as a temporary anchorage point for Personal Protective Equipment, ideal for use in the following areas

- Mast tower work
- Scaffolding/steel work
- Structural steel
- Rope Access, Tree surgery
- Rescue



Associated Products

This anchorage point should always be used with

- A Sala connector or karabiner conforming to EN362

It can be used with the following products

- A Sala energy absorbing lanyard (EN355)
- A Sala retractable fall arrest device (EN360)
- A Sala temporary vertical life line (EN353-2)
- The Sala RPD access and rescue system KA1PRPD
- The Sala RDS Rapid Deployment Rescue system KA1RDS
- The Sala “Rescumatic” device KG1P100

Restraint - *NOT FOR FALL ARREST PURPOSES*

- A Sala restraint lanyard conforming to EN354

KM419

(N-19)

KM421

(N-21)



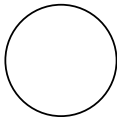
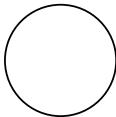
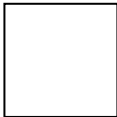

SALA “Choking Girder loop” heavy duty temporary anchorage point

Technical specification

- Webbing - 45mm width, 100% Polyester, Breaking strength >3400 daN
- Thread - High strength, 100% Polyester
- Triangular links - Breaking strength > 2200 daN, 8mm diameter bar, stainless steel 316 with polished finish.
- Half round D-links - Breaking strength > 3750 daN, 7mm diameter bar, stainless steel 316 with polished finish.
- Individual serially numbered
- Conforms to standard – EN795 CLASS B
- System breaking Strength >15KN



CE

Reference	Overall length	Net weight				
			Simple	Choke	Simple	Choke
KM419 (N-19)	90cm	445g	23cm diameter	21cm diameter	18cm by 18cm	16cm by 16cm
KM421 (N-21)	200cm	860g	60cm diameter	55cm diameter	40cm by 40cm	37cm by 37cm

Options

KM418

The KM418 is a simple Girder loop, constructed in a similar way as the KM419, but with 2 triangles, and cannot be choked. It has an over all length of 90cm.